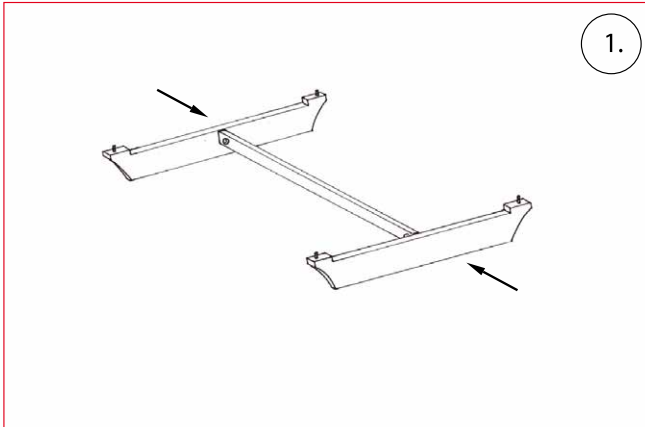
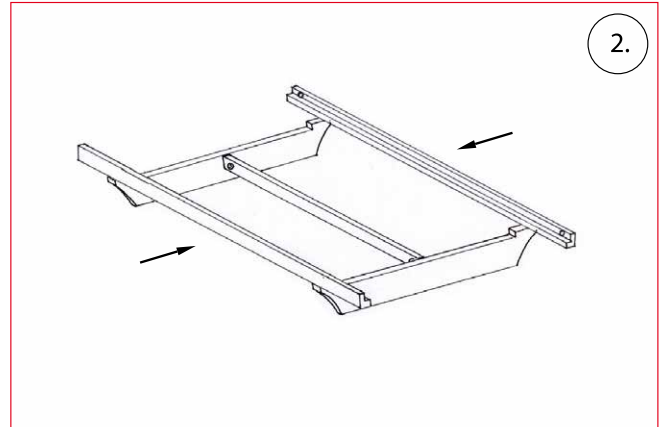


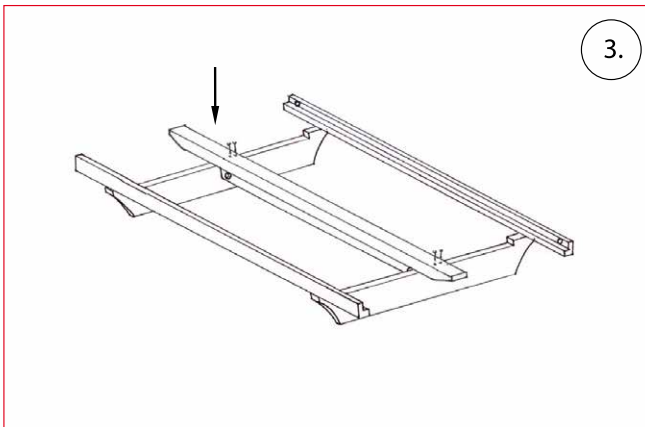
Moon solid wood bed assembly instructions



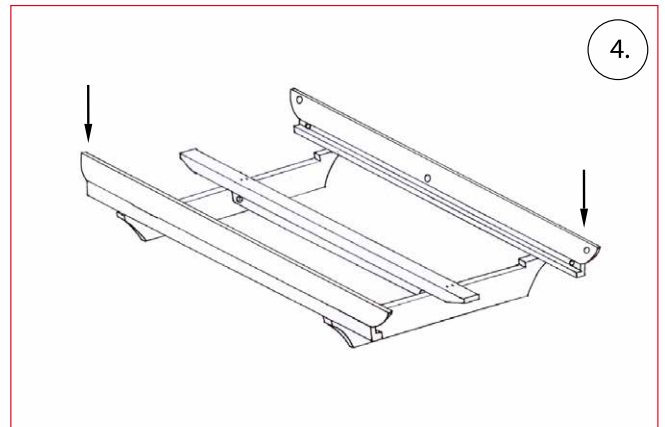
Screw the crossbar together with the 2 foot sections. There are 2 crossbars for the 140 width.



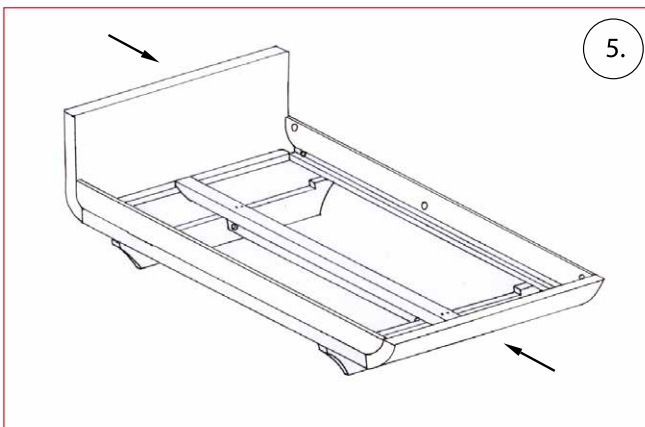
Place the angled sides on the foot sections. Head and foot sides are marked, do not confuse them.



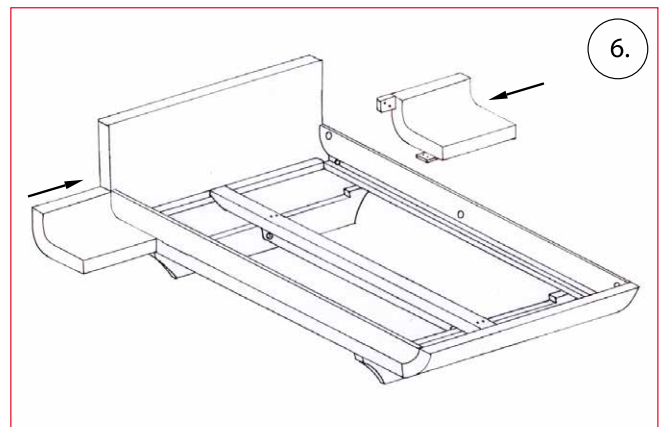
Place the support strip centrally on the foot sections and fix it to the foot sections with the 4 enclosed 6 × 80 mm screws in accordance with point 5. The support strip is not needed for the 140 width.



Insert the side panels with the spring into the groove of the angle sides and lightly thread the centrally seated fitting.



Attach the bed head and foot sections to the angle sides and side panels. Tighten the fitting in the centre of the side panel. Now screw the screws of the support strip to the foot sections.



Fasten the console on the left and right in the cut-out on the back of the headboard and the underside of the angle sides, using two 4 × 35 mm screws apiece.